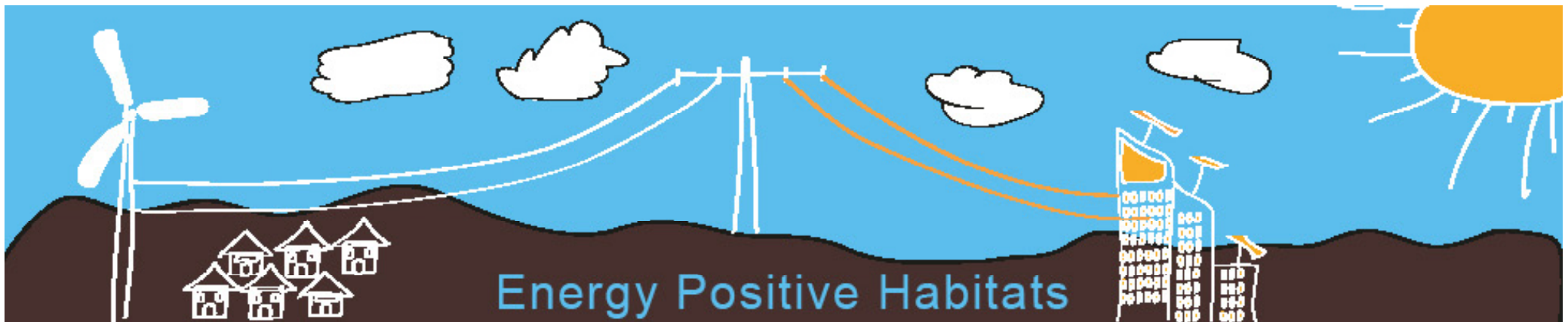


Auroville Green Practices

A Hands-on-Workshop
30 Aug to 1 Sept, 2012
Auroville (near Pondicherry)



‘Human Habitats today have become centers of energy consumption. By conserving energy with appropriate building design, reducing energy by efficient energy management and producing energy with decentralized systems that allows feeding surplus energy into the grid, we can create a shift towards energy positive habitats. Essential to this movement is the fact that humans have to change their life styles to consume less energy.’

Decentralized Solar Installations



Jörg Zimmermann, Sunlit Future, Auroville

Decentralized vs. Centralized



Rooftop Solar in Germany

600 MW Solar Powerplant, Gujarat



Types of Decentralized Solar Systems



- Remote Village Electrification
- Off-grid with Battery Storage
- Rooftop Installation with Sandbag Weights

Spiti Valley,
Himachal Pradesh

Types of Decentralized Solar Systems



- Individual House
- Off-grid with Battery Storage
- Slanted Tile Roof

Auroville, T.N.

Types of Decentralized Solar Systems



- Individual House in Urban Area
- On-grid
- Elevated Structure on Roof Terrace

Pondicherry

Types of Decentralized Solar Systems



- 10 kW rooftop in AV Factory
- On-grid
- Roof Top Installation with Concrete Foundations

Auroville, T.N.

Types of Decentralized Solar Systems



- Open Area System
- Solar Water Pump
- Freestanding Structure with Concrete Foundations

Madurai, T.N.

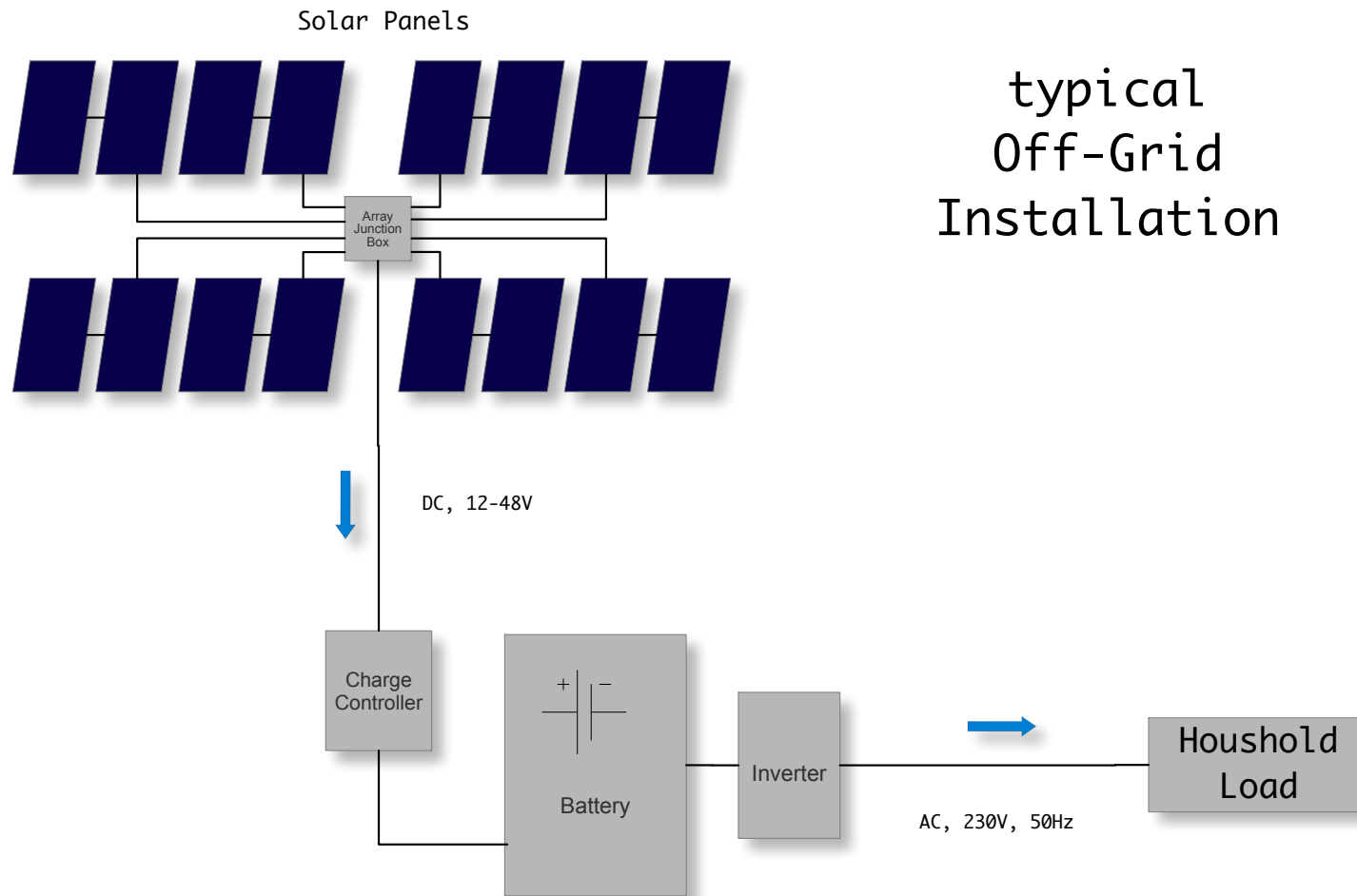
Types of Decentralized Solar Systems



- Individual Flat in Multistorey Building
- Hybrid System with Battery Storage
- Corrugated Sheet Metal Roof

Auroville, T.N.

Off-Grid vs. On-Grid

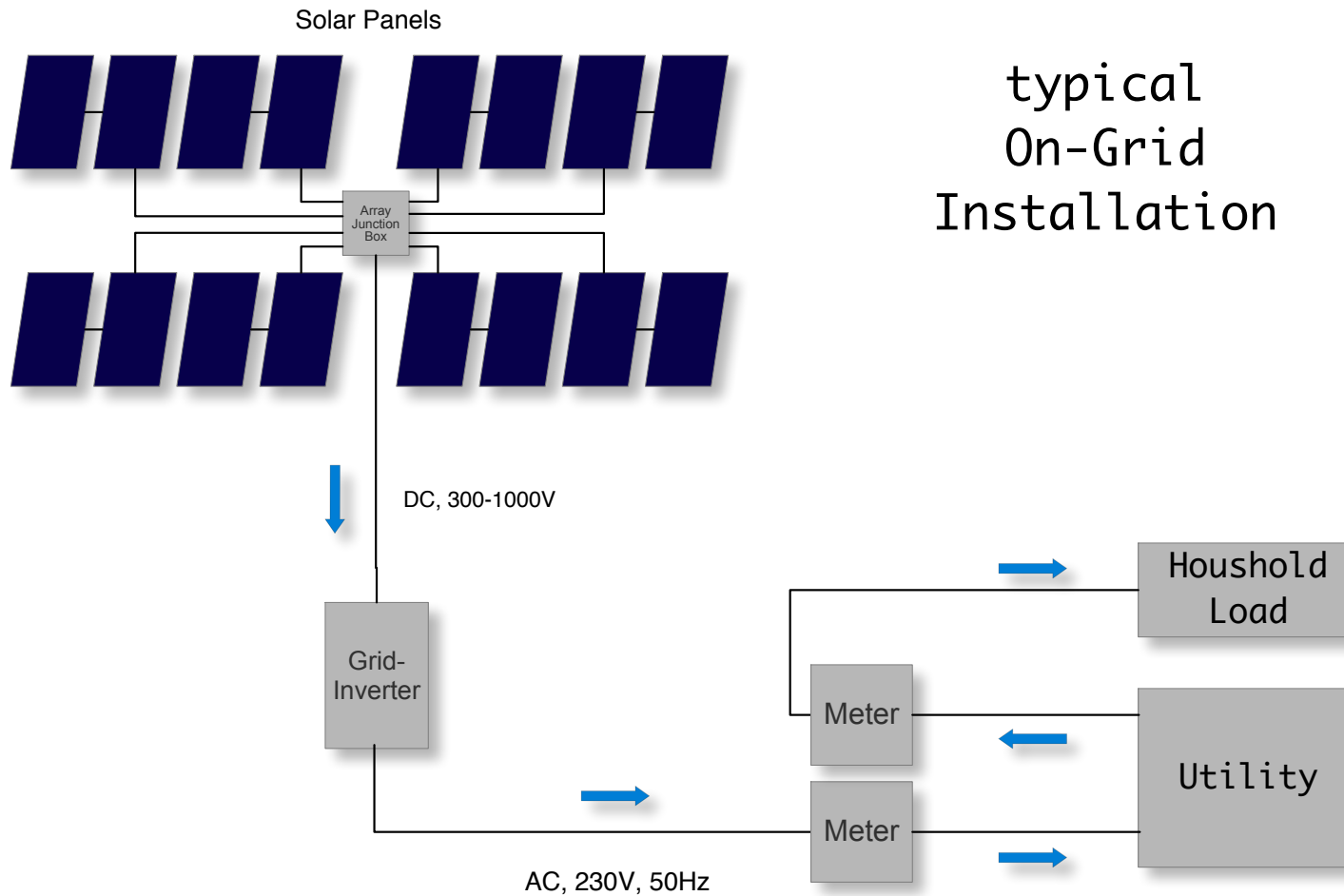


Off-Grid vs. On-Grid



Pure Off-Grid System in
remote School,
Kechla, Orissa

Off-Grid vs. On-Grid



Off-Grid vs. On-Grid



- 10 kW On-Grid System
- Factory in Auroville, T.N.

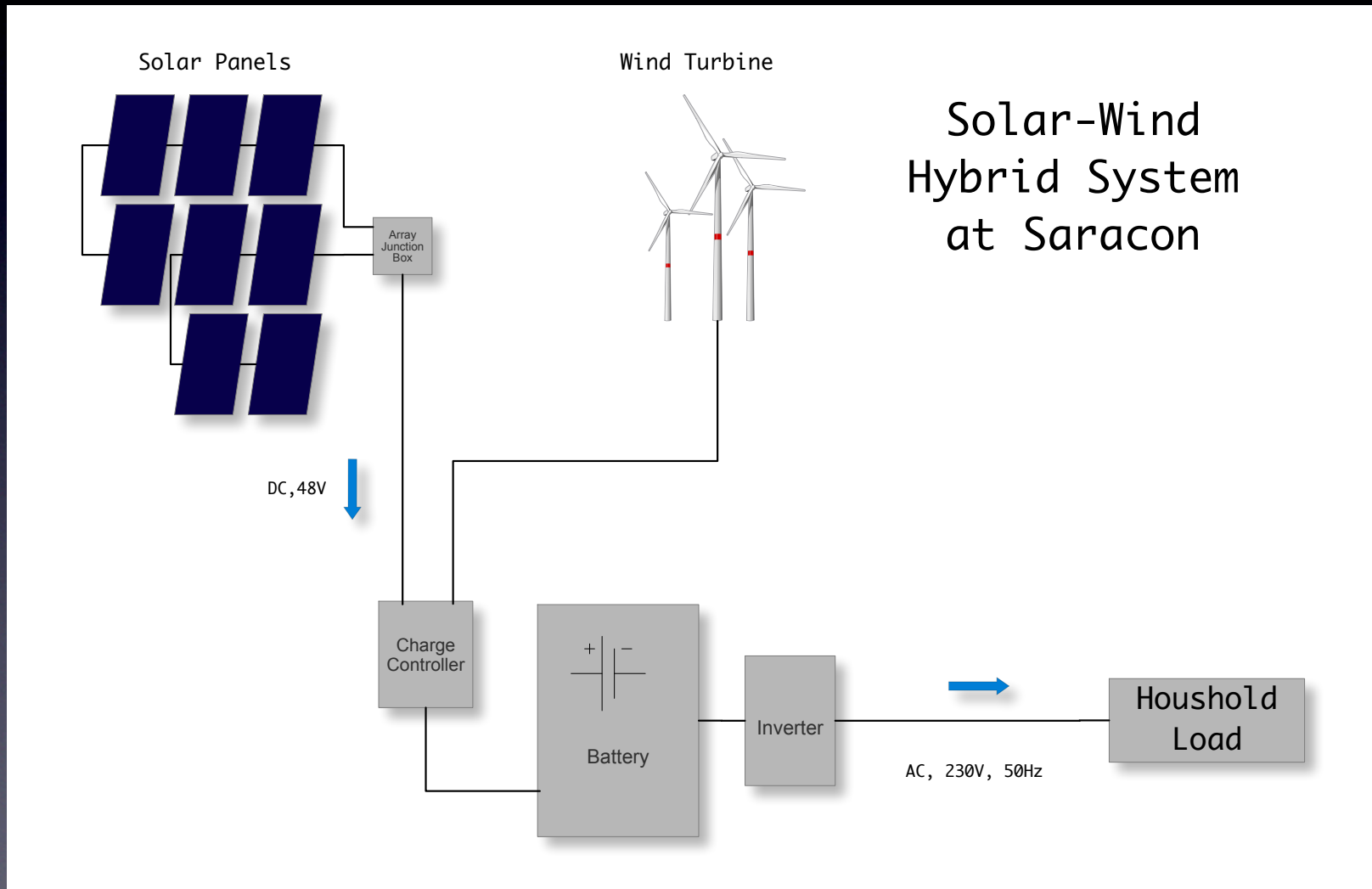
Workshop:

Installation of a Solar-Wind Hybrid System

Friday 2pm:

- Energy Audit
- Dimensioning and Layout of a Solar System
- Hands-on installation and commissioning of solar system
- Q&A session

Workshop: Installation of a Solar-Wind Hybrid System





Sunlit Future

www.sunlitfuture.in

sunlit@auroville.org.in

Aurosarjan, Auroville, 605101 Tamil Nadu

Tel: 0413-2622992

Appendix

Portfolio



Fast Facts

- Pioneering Solar System Integration since 1998
- Based in Auroville, TN. - Active all over India
- Over 4000 successful solar installations
- Around 5 MWp solar power installed to date
- Won the Ashden Award for sustainable energy in 2004



Solar Home Systems

- over 2000 systems installed
- Capacity from 40 W to 20 kW
- from individual houses in rural off-grid areas to standalone or hybrid systems for schools, hospitals, hotels, etc.
- Grid-interactive systems



Solar Street Lights

- over 400 stand-alone Solar Street-lights installed
- „Mini-Farm“ systems with up to 30 Lights
- Campuses, manufacturing sites, beach resorts, hospitals, etc.



Solar Water Heaters

- High-Efficiency Evacuated Tube Collector Systems
- Capacity from 100 liters/day up to 3000 liters/day
- From individual houses up to hotels and hospitals



Solar Water Pumps

- 900 Solar pumps installed in Punjab and Hariyana in 2000
- High efficiency submersible pumps from Grundfos
- Irrigation, community water supply, cattle watering



References

Hospitality



Industry



NGO's



Health Care

Aravind Eye Hospital, Pondicherry
Govt. Hospital, Madurai
Govt. Hospital, Arcot
Microlab India, Coimbatore

Community

Sri Aurobindo Ashram, Pondicherry
Sri Aurobindo Ashram, Delhi
Ramana Maharshi Ashram, Tiruvannamalai
Sai Baba Ashram, Puttaparthi
Mahabodi International Meditation Center, Leh

Others

Consulat de France, Pondicherry
Sathyabama University, Chennai